

PLEASE CHECK WWW.MOLEX.COM FOR LATEST PART INFORMATION

Part Number: [0681070961](#)
Status: **Active**
Description: D-Subminiature Shielded I/O PCB Female Receptacle, Right Angle, 9 Circuits, Standard Nut, Lead Free

Documents:

[3D Model](#) [Product Specification PS-68107-001 \(PDF\)](#)
[Drawing \(PDF\)](#) [RoHS Certificate of Compliance \(PDF\)](#)

General

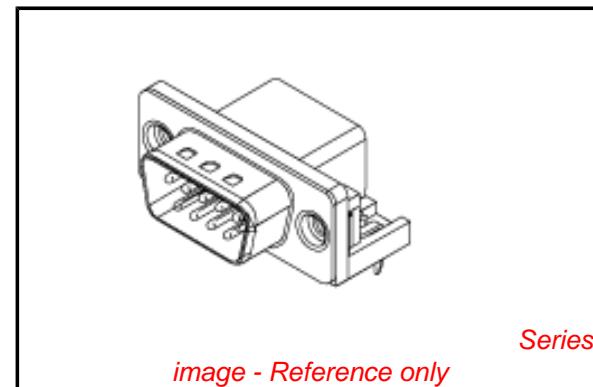
| | |
|----------------|-----------------------|
| Product Family | I/O Connectors |
| Series | 68107 |
| Application | Wire-to-Board |
| Component Type | Plug |
| Product Name | D-Sub |
| Type | N/A |

Physical

| | |
|--------------------------------|-----------------|
| Boot Color | N/A |
| Circuits (Loaded) | 9 |
| Circuits (maximum) | 9 |
| Durability (mating cycles max) | 200 |
| Gender | Plug |
| Keying to Mating Part | None |
| Lock to Mating Part | No |
| Material - Plating Mating | Gold |
| Number of Rows | 2 |
| Orientation | Right Angle |
| PC Tail Length (in) | 0.125 In |
| PC Tail Length (mm) | 3.18 mm |
| PCB Locator | Yes |
| PCB Retention | Yes |
| PCB Thickness Recommended (in) | 0.031 In |
| PCB Thickness Recommended (mm) | 0.80 mm |
| Packaging Type | Tray |
| Panel Mount | Yes |
| Pitch - Mating Interface (in) | 0.054 In |
| Pitch - Mating Interface (mm) | 1.37 mm |
| Pitch - Term. Interface (in) | 0.054 In |
| Pitch - Term. Interface (mm) | 1.37 mm |
| Polarized to Mating Part | Yes |
| Polarized to PCB | Yes |
| Ports | 1 |
| Surface Mount Compatible (SMC) | No |
| Temperature Range - Operating | -55°C to +105°C |
| Termination Interface: Style | Through Hole |
| Waterproof / Dustproof | No |
| Wire Insulation Diameter | N/A |
| Wire Size AWG | N/A |

Electrical

| | |
|-------------------------------|------------------|
| Current - Maximum per Contact | 5A |
| Grounding to Panel | Yes |
| Shielded | No |
| Voltage - Maximum | 125V AC (RMS)/DC |



EU RoHS

**ELV and RoHS
Compliant**
REACH SVHC
 Not Reviewed
**Halogen-Free
Status**
 Not Reviewed

China RoHS



**Need more information on product
environmental compliance?**

Email productcompliance@molex.com
 For a multiple part number RoHS Certificate of Compliance, [click here](#)

Please visit the [Contact Us](#) section for any non-product compliance questions.

Search Parts in this Series
[68107Series](#)

Material Info

Reference - Drawing Numbers

Product Specification

PS-68107-001

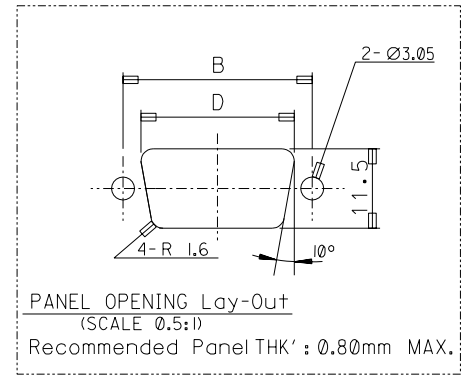
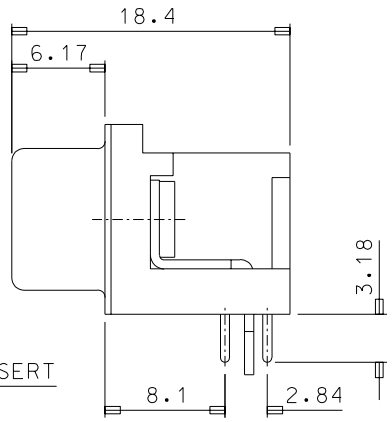
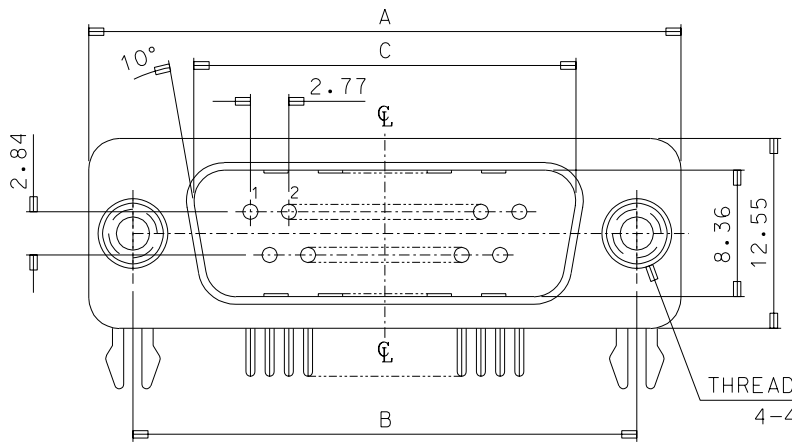
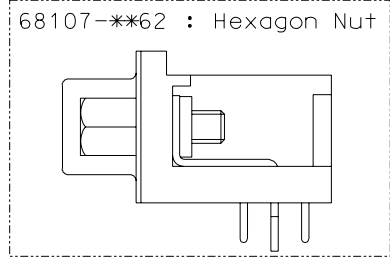
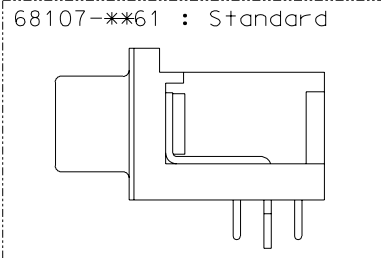
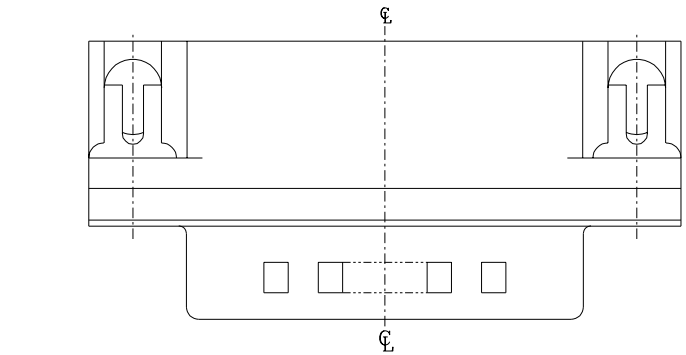
Sales Drawing

SD-68107-002

This document was generated on 06/07/2010

PLEASE CHECK WWW.MOLEX.COM FOR LATEST PART INFORMATION

DWG. NO. SD 68107-002
 SIMILAR ITEM
 PROJECT NO.
 DO NOT SCALE DRAWING DIMENSION IN METRIC



NOTES
1. Product Specification : PS-68107-001

| No. | MATERIAL | REMARK |
|-----|---------------|--------------|
| 1 | PBT (UL94V-0) | GLASS FILLED |
| 2 | BRASS | GOLD PLATING |

| No. of PIN | PART No. | A | B | C | D |
|------------|------------|-------|-------|-------|-------|
| 9 | 68107-0961 | 30.81 | 24.99 | 16.92 | 20.30 |
| 15 | 68107-1561 | 39.14 | 33.32 | 25.25 | 28.60 |
| 25 | 68107-2561 | 53.04 | 47.04 | 38.96 | 42.30 |

| | | |
|---------|----------------------|-----------------|
| REVISED | EC NO. KOR 2005-0108 | QUALITY SYMBOLS |
| | DRWN: DYJANG(041210) | |
| A | CHK: Y.SIK.KIM | MAJOR = |
| | APPR: C.W.LEE | |
| REV | DESCRIPTION | CRITICAL = |

| GENERAL TOLERANCES: (UNLESS SPECIFIED) | |
|--|------------|
| 4 PLACES | ±. ±. |
| 3 PLACES | ±0. ±. |
| 2 PLACES | ±0.3 ±. |
| 1 PLACE | ±0.4 ±. |
| ANGULAR: ± 1 ° | |
| DRAFT WHERE APPLICABLE MUST REMAIN WITHIN DIMENSIONS | |

| | |
|----------------------------------|--|
| SCALE 3/1 | DESIGN UNITS <input checked="" type="checkbox"/> mm <input type="checkbox"/> INCH |
| DRAWN BY & DATE J.S.KANG 9.29 | |
| CHECKED BY & DATE J.K.OH | |
| APPROVED BY & DATE C.W.LEE | |
| CAD FILENAME SD68107.S01 | |

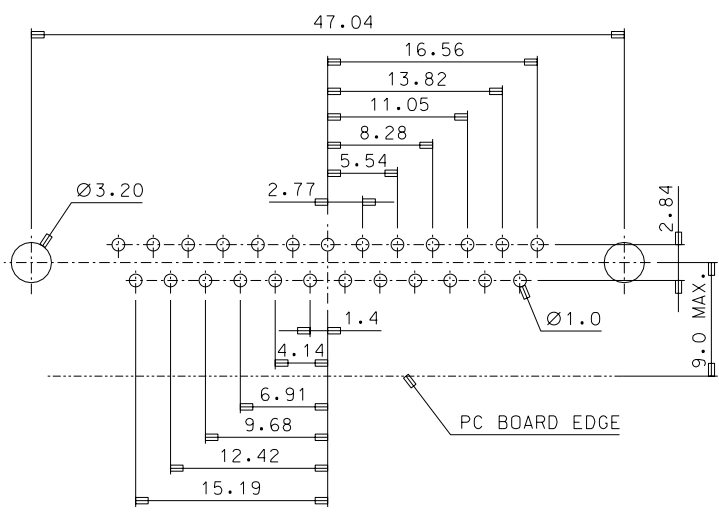
| | | | |
|--|------------------------------|---------------------|-----------|
| DIMENSIONS: <input type="checkbox"/> mm <input type="checkbox"/> INCH <input checked="" type="checkbox"/> mm ONLY | | SHT | REV |
| THIRD ANGLE PROJECTION | | REVISE ON CAD ONLY | |
| TITLE: D-SUB PLUG-R/A (WITH TAPPING, FORK LOCK) -LEAD FREE- | | | |
| MOLEX INCORPORATED | | | |
| MATERIAL NO. | DRAWING NO. SD 68107- 002 | SHEET NO. 1 of 2 | |
| THIS DRAWING CONTAINS INFORMATION THAT IS PROPRIETARY TO MOLEX INCORPORATED AND SHOULD NOT BE USED WITHOUT WRITTEN PERMISSION. | | | SIZE B |

DO NOT SCALE DRAWING DIMENSION IN METRIC

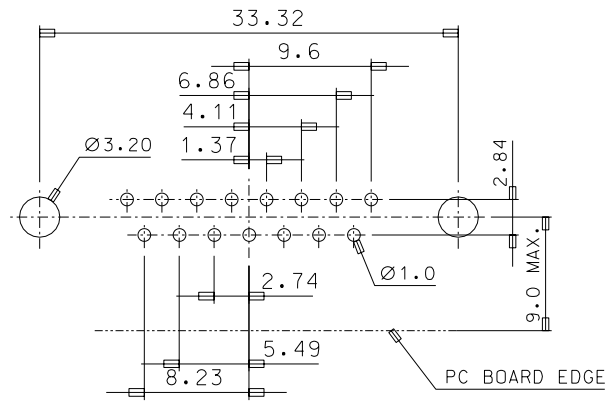
PROJECT NO.

SIMILAR ITEM

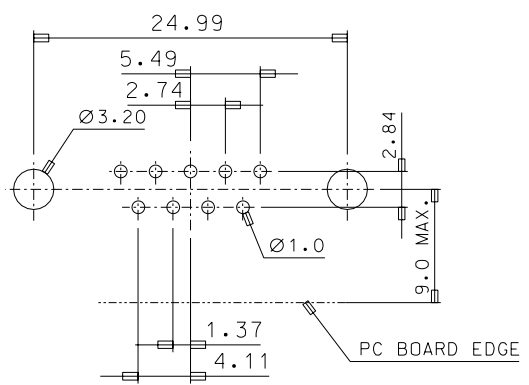
DWG. NO.
SD 68107-002



25 CIRCUIT



15 CIRCUIT



9 CIRCUIT

PCB LAYOUT FOR 68107 SERIES

LEAD FREE

| | | | | | | | | | |
|--|--------------------------------------|---|------|---|--|---------------------------|---|--------------|------------------------------|
| REVISED EC NO. KOR 2004-0108 DRWN: DYJANG(041210) CHK: Y. SIK. KIM APPR: CWLEE | QUALITY SYMBOLS MAJOR CRITICAL | GENERAL TOLERANCES: (UNLESS SPECIFIED) | | SCALE 3/1 | DESIGN UNITS <input checked="" type="checkbox"/> mm <input type="checkbox"/> INCH | THIRD ANGLE PROJECTION | DIMENSIONS: <input type="checkbox"/> mm <input type="checkbox"/> INCH <input checked="" type="checkbox"/> mm ONLY | SHT | REV |
| | | 4 PLACES | ±0. | ±. | DRAWN BY & DATE J. S. KANG 9.29 | | TITLE: D-SUB PLUG-R/A (WITH TAPPING, FORK LOCK) -LEAD FREE- | | |
| | | 3 PLACES | ±0. | ±. | CHECKED BY & DATE J. K. OH | | MOLEX INCORPORATED | | |
| | | 2 PLACES | ±0.1 | ±. | APPROVED BY & DATE C. W. LEE | | CAD FILENAME SD68107.S02 | MATERIAL NO. | DRAWING NO. SD 68107- 002 |
| A | REV | ANGULAR: ± ° | | DRAFT WHERE APPLICABLE MUST REMAIN WITHIN DIMENSIONS | | | THIS DRAWING CONTAINS INFORMATION THAT IS PROPRIETARY TO MOLEX INCORPORATED AND SHOULD NOT BE USED WITHOUT WRITTEN PERMISSION. | | |
| | | | | | | | | SIZE B | |